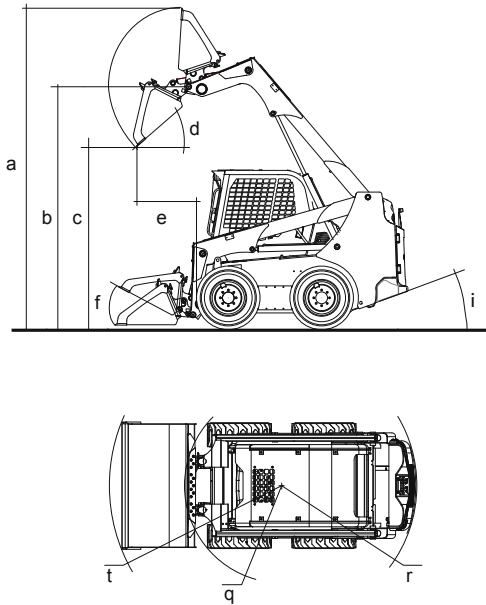


# working range

the drawing is generic and purely for illustrative purposes



	AS12	AS20	AS25	AS28	AS34	AT33
<b>A</b> Maximum operating height with the bucket completely lifted	3300 mm	3595 mm	3816 mm	3816 mm	4100 mm	3849 mm
<b>B</b> Maximum height of the pin with the bucket completely lifted	2540 mm	2630 mm	2892 mm	2892 mm	3131 mm	2925 mm
<b>C</b> Unloading height	1997 mm	1954 mm	2169 mm	2169 mm	2344 mm	2198 mm
<b>D</b> Maximum height unloading angle	31°	35°	42.7°	42.7°	44°	42.7°
<b>E</b> Arm unloading with the bucket at maximum height	360 mm	797 mm	662 mm	662 mm	681 mm	702 mm
<b>F</b> Rollback angle of the bucket on the ground	34°	33.3°	32.1°	32.1°	28°	32.1°
<b>I</b> Rear departure angle	27°	24.8°	21.1°	23.7°	26°	29.9°
<b>Q</b> Front clearance radius	800 mm	1050 mm	1150 mm	1191 mm	1289 mm	1226 mm
<b>R</b> Rear clearance radius	1190 mm	1375 mm	1584 mm	1540 mm	1772 mm	1505 mm
<b>T</b> Front clearance radius with bucket	1530 mm	1814 mm	1948 mm	2020 mm	2195 mm	2052 mm

# features

	AS12	AS20	AS25	AS28	AS34	AT33
<b>GENERAL PERFORMANCE</b>						
Operating weight	1368 kg	2095 kg	2625 kg	2925 kg	3640 kg	3574 kg
Weight when delivered with the bucket	1288 kg	1998 kg	2501 kg	2801 kg	3550 kg	3451 kg
Operating load	360 kg	435 kg	629 kg	782 kg	1040 kg	766 kg
Tipping load	720 kg	870 kg	1258 kg	1565 kg	2080 kg	2190 kg
Bucket cylinders breakout force	7.35 kN	15.56 kN	20.29 kN	20.29 kN	26.2 kN	20.29 kN
<b>ENGINE</b>						
Engine manufacturer	Yanmar	Kubota	Kubota	Kubota	Yanmar	Kubota
Model	3TNV76	V1505 Stage IIIA	V2403-ME3B Stage IIIA	V2607-DI-T Stage IIIA	4TNV98T - Stage IIIA	V2607-DI-T Stage IIIA
No. of cylinders and engine size	3 / 1116 cc direct injection	4 / 1498 cc	4 / 2434 cc	4 / 2615 cc	4 / 3320 cc direct injection	4 / 2615 cc
Horsepower	15.6 kW / 2500 rpm	26 kW / 2800 rpm	35.8 kW / 2500 rpm	47.5 kW / 2500 rpm	61 kW / 2500 rpm	47.5 kW / 2500 rpm
Maximum torque	69.4 Nm / 1800 rpm	90 Nm / 2000 rpm	160 Nm / 1650 rpm	220 Nm / 1700 rpm	298 Nm / 1850 rpm	220 Nm / 1700 rpm
Battery	12V 480 CCA 62 Ah	12V H350A 65 Ah	12V H430A 80Ah	12V H430A 80Ah	12V 800 CCA 100 Ah	12V H430A 80Ah
Fuel consumption (100% - 70% horsepower)	5.0 L / h - 3.5 L / h	7.9 L / h - 5 L / h	10.9 L / h - 7 L / h	14.4 L / h - 8.8 L / h	16.6 L / h - 11.6 L / h	14.4 L / h - 8.8 L / h
Air Cooling / Supply	water / aspirated	water / aspirated	water / aspirated	water / turbo	water / turbo	water / turbo
<b>HYDRAULIC SYSTEM</b>						
Maximum auxiliary system capacity	35 L / min	56 L / min	65 L / min	65 L / min	86 L / min	70 L / min
Maximum hydraulic pressure of the circuit	180 bar	180 bar	180 bar	180 bar	210 bar	180 bar
Maximum H.F. system capacity	-	-	-	108 L / min	134 L / min (opt)	108 L / min
Max. H.F. system pressure	-	-	-	200 bar	210 bar	200 bar
Maximum travel speed	0-7.0 km / h	0-10.5 km / h	0-11 km / h	0-11.5 km / h	0-10 / 18 km / h	0-7 / 0-11.5 km / h
<b>BUCKET PERFORMANCE</b>						
Standard bucket	1130 mm	1270 mm	1574 mm	1727 mm	1730 mm	1727 mm
Full bucket capacity	0.18 m <sup>3</sup> / -	0.22 / 0.30 m <sup>3</sup>	0.27 / 0.37 m <sup>3</sup>	0.28 / 0.39 m <sup>3</sup>	0.41 / 0.48 m <sup>3</sup>	0.28 / 0.39 m <sup>3</sup>
<b>CAPACITY</b>						
engine oil	2.9 L	7 L	9.5 L	10.2 L	11 L	10.2 L
Chain oil (for tank)	3.5 L	3 L	9 L	9 L	12 L	-
Cooling system	3.5 L	10.1 L	10 L	10 L	15 L	10 L
Fuel tank capacity	20 L	28 L	64 L	64 L	91 L	64 L
Hydraulic tank capacity	28 L	20 L	38 L	38 L	40 L	38 L
<b>OTHER DATA</b>						
Sound power level (outside)	97 dB	101 dB	101 dB	101 dB	102 dB	103 dB
ROPS structure	compliant with standard EN 3471	compliant with standard EN 3471	compliant with standard EN 3471	compliant with standard EN 3471	compliant with standard EN 3471	compliant with standard EN 3471
FOPS structure	compliant with standard EN 3449 Lev. I	compliant with standard EN 3449 Lev. I	compliant with standard EN 3449 Lev. I	compliant with standard EN 3449 Lev. I	compliant with standard EN 3449 Lev. I	compliant with standard EN 3449 Lev. I